

B-Type Overload Protector

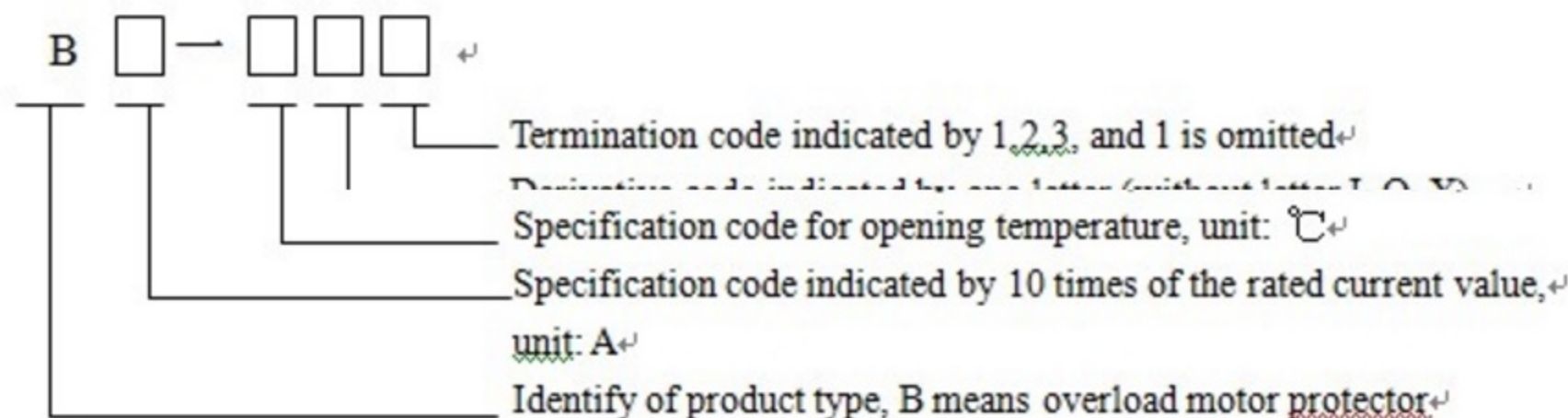
Content introduced:



Application & Performance

The product is used as the accessory of the compressors for refrigerator, freezer or air-conditioner. It consists of dishes thermal bimetal disc connected in series with heating element. When the compressor is in locked rotor or running overload occur, the bimetal disc will snap trip, cut off the current to realize its protection function to compressor. The product has the feature of high sensibility, reliability, stability, small volume and light weight.

Code System



e.g:

B58-105A stands for the rated current is 5.8A, opening temperature is 105°C. And it is a kind of thermal protector with current-temperature auto-reset type, and is designed for the first time.

Main Parameters Table

Application Field	Temp. Feature		Time-check			UTC (A)	Contact Resistance (mΩ)	Insulation Resistance (MΩ)		Electric strength	Cycle life
	Opening Temp. (°C)	Closing Temp. (°C)	Rated Current (A)	Opening Time (S)	Closing Time (S)			Normalcy	Humidity		
Compressor of refrigeration and freezer	90~170±5	50~100	2~50	2~20	3~300	According to customers requirement	≤50	≥500	≥100	AC50Hz;1500V;1min	Over 10000 cycles
Compressor of air-condition	120~170±5	60~100±7~11	2~50	5~20	<50						

Remark: 1. Parametric tests is under 25±1°C 2. Produce products according to customers' required parameter

Ambient Conditions:

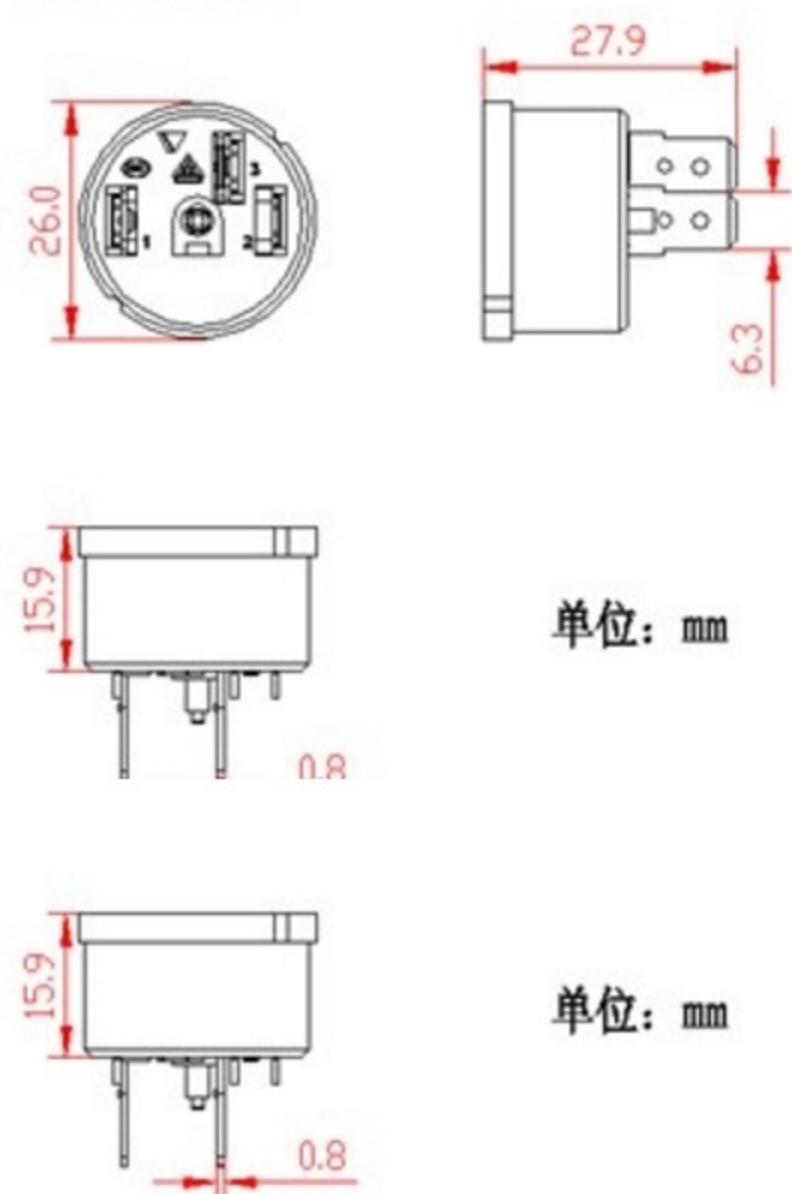
Safety Certificates: CQC、VDE.

Weight: ≤15g

Ambient Temperature: -10°C~+43°C

Relative Humidity: ≤90% (25°C)

Dimension:



Unit: mm

Remark : Terminal type 4.8×0.8mm or 6.3×0.8mm faston (produce products according to customers' requirements)